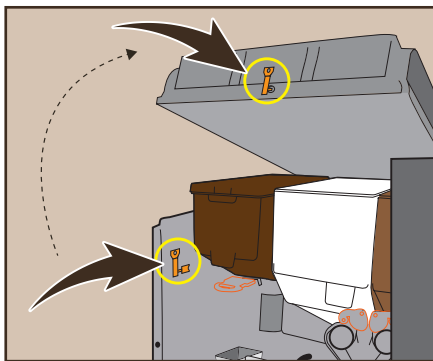




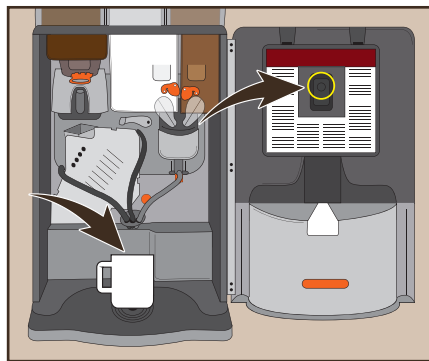
# miniBona2

## Cleaning Instructions

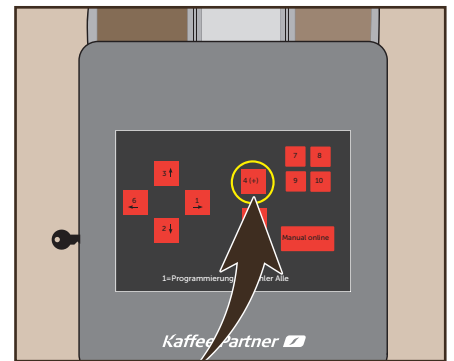
1x daily cleaning (max. 7 minutes)



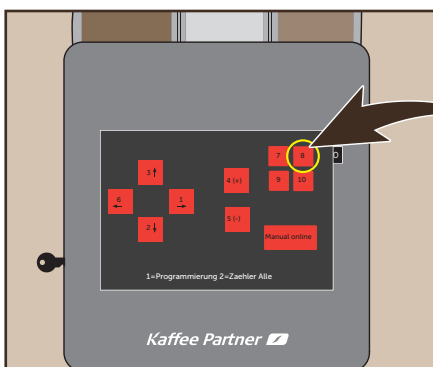
- 1 Open the machine door.  
Remove the service key from the holder on the left wall of the housing and start up the machine.



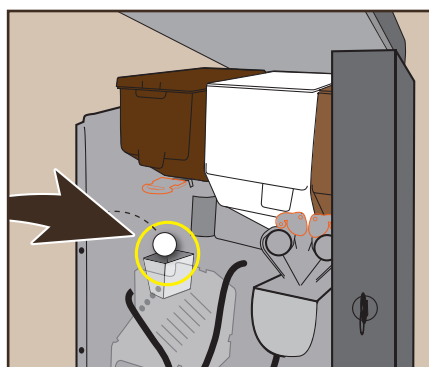
- 2 Place the rinsing cup under the spout. Then press the program button in the door.

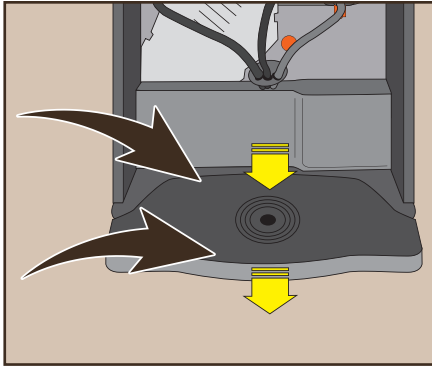


- 3 Press button 4 to select the rinsing program. Press button 10 to confirm that the drip pan is empty. Press button 10 to confirm that the water is OK.

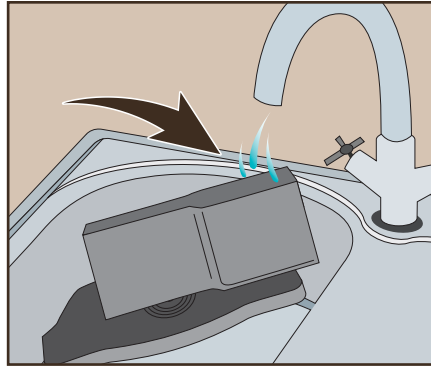


- 4 Overall rinsing program  
Press button 8 to start the overall rinsing program. (4:30 min) Follow the instructions on the display. Insert the Kaffee Partner cleaning tablet into the funnel and confirm by pressing button 10.





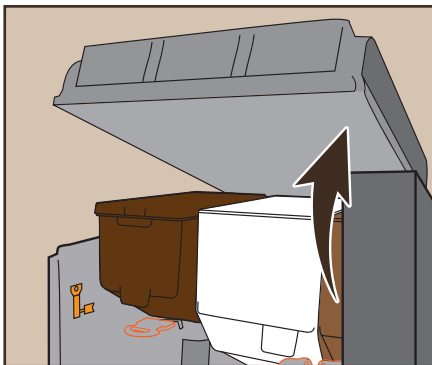
**5 Clean the trash bin and drip pan:**  
With the machine door open, remove the trash bin and drip pan forwards. Empty the coffee grounds and water.



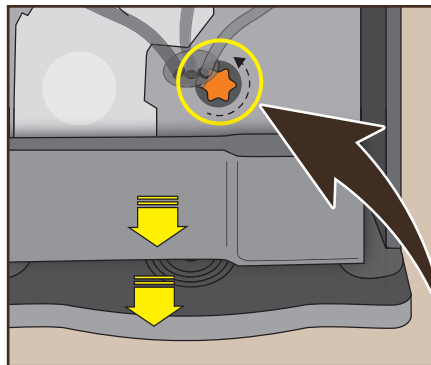
**6** Rinse both under running water, and reinsert.



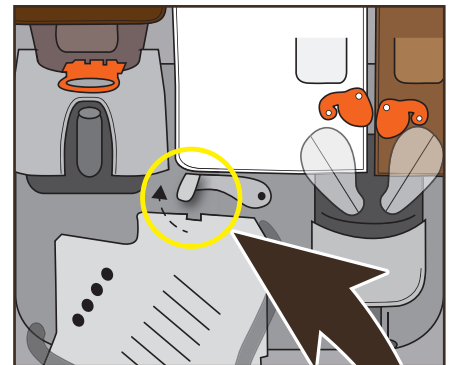
## 1x weekly cleaning (max. 10 minutes)



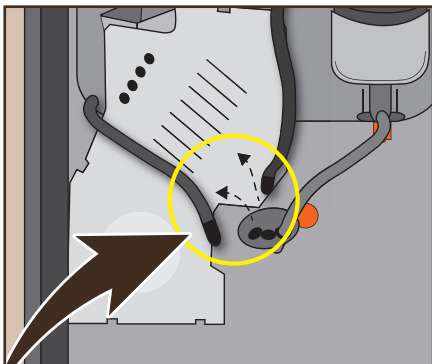
**1** Open the machine door.



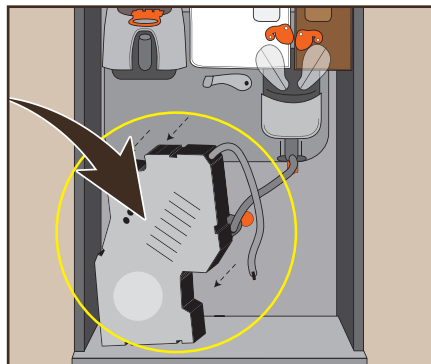
**2** Remove the trash bin and drip pan and unscrew the orange screw cap.



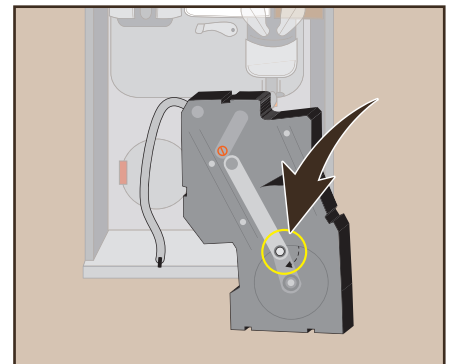
**3** Push the brewer's retaining brackets upwards.



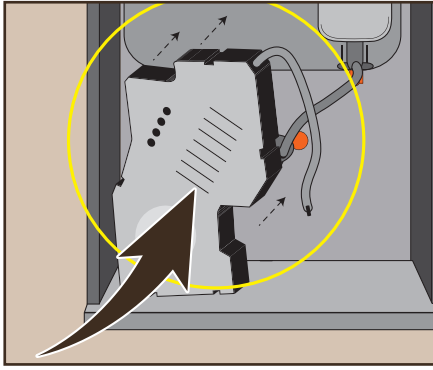
**4** Remove the delivery tube on the left and the coffee tube directly next to it, and allow them to hang down loosely.



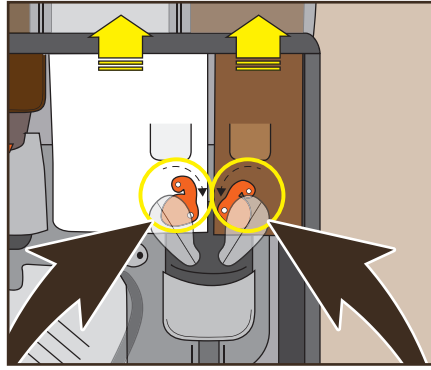
**5** Remove the brewer at an angle forwards.



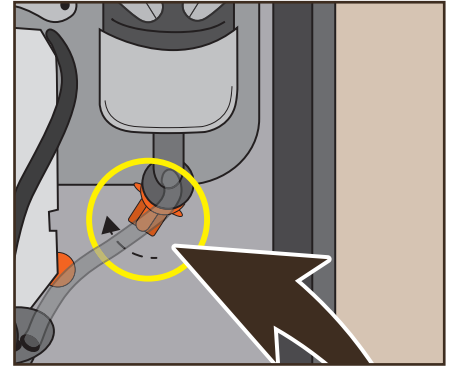
**6** Push down the bolts for the crank drive on the back of the brewer.



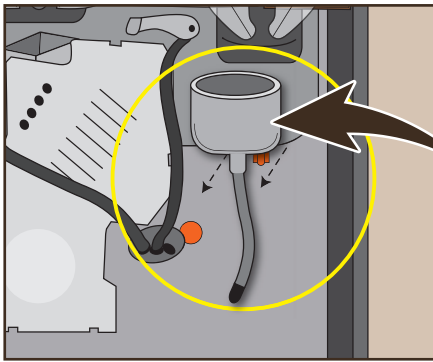
**7** Clean the coffee strainers under running water and thoroughly dry the brewer. Install the brewer in reverse order between the red retaining lugs.



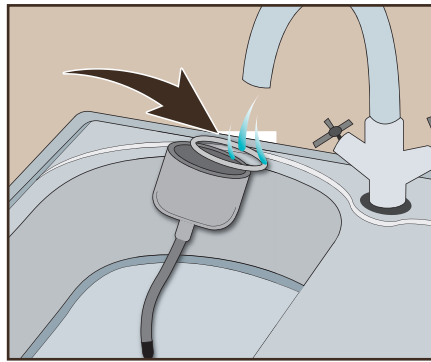
**8** Seal both caps and remove the product container upwards.



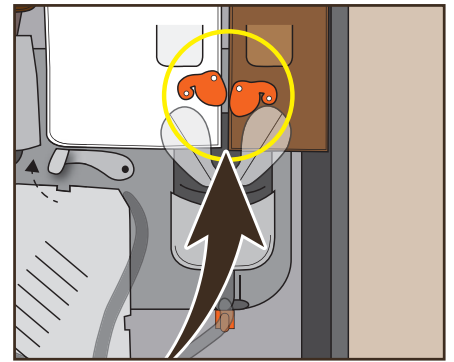
**9** Push the red bayonet lock up approx. 30 degrees clockwise.



**10** Fully release the tube at the delivery outlet. Remove the complete mixer and tube forwards.



**11** Use a cleaning brush to clean the mixer and a spout brush to clean the delivery hoses.  
**Thoroughly dry the mixer.** Reassemble the parts in reverse order.



**12** Caution: Open the covers of the 2 product containers.



**Note:** Only use a dry, antistatic microfibre cloth to clean the touch screen. Never use cleaning agents containing alcohol, solvents or abrasive substances.

Order special cleaning agents and accessories at:

 [www.kaffee-partner-shop.de](http://www.kaffee-partner-shop.de)

 [www.kaffee-partner-shop.at](http://www.kaffee-partner-shop.at)

 [www.kaffee-partner-shop.ch](http://www.kaffee-partner-shop.ch)



# Emergency Service

Don't panic if something goes wrong.  
The key error messages at a glance:

Display	Cause	Solution (Always restart your machine afterwards)
Service OFF 2	Payment system fault.	Check the connection.
No Water OFF 6	No water to fill the machine. The water tank is empty. The water supply is insufficient.	Top up with water. Restore the water supply. Reset by pressing button 1.
Service OFF 8	The brewer is blocked. The brewing time has been exceeded. The grind is too fine.	Clean the brewer.
No Coffee OFF 8 B	The brewer has not been installed properly. The metal bracket fixing the brewer in place at the top has not snapped in completely.	Fully remove and reinstall the brewer, then press down the metal bracket as far as it will go.
Replace water filter	The water filter needs to be changed.	Open the door. Insert the door contact key. Wait until the error is displayed again. Press the program button. Press button 5 then 2 on the outside, and confirm with the program button.



Service Hotline  
+49 (0) 541 75045-400



Service email  
support@kaffee-partner.de



Product Ordering Hotline  
+49 (0) 541 75045-100

## Kaffee Partner

Kaffee Partner GmbH  
Kaffee-Partner-Allee 1  
49090 Osnabrück · Germany  
www.kaffee-partner.de



Service Hotline  
+43 (0) 662 2682-37



Service email  
support@kaffee-partner.at



Product Ordering Hotline  
+43 (0) 662 2682-35

## Kaffee Partner

Kaffee Partner Austria GmbH  
Himmelreich 1  
5020 Salzburg · Austria  
www.kaffee-partner.at



Service Hotline  
+41 (0) 41 74100-52



Service email  
support@kaffee-partner.ch



Product Ordering Hotline  
+41 (0) 41 74100-50

## Kaffee Partner

Kaffee Partner Schweiz AG  
Hinterbergstrasse 24  
6312 Steinhausen · Switzerland  
www.kaffee-partner.ch